

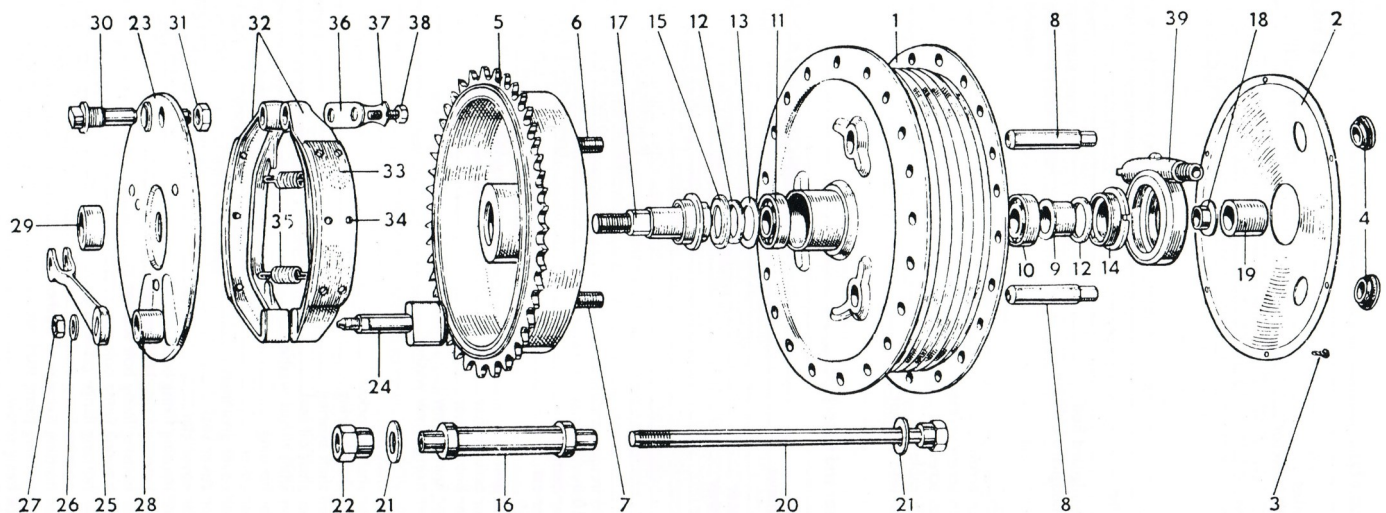
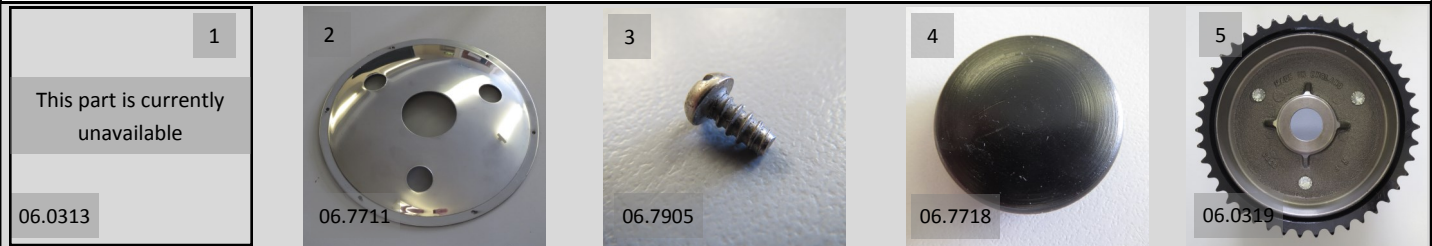


We are the only supplier of Commando & Dominator parts using the original factory drawings. Our products are mostly made in England and to original specification. We also offer Norton Rotary spares, factory service manuals and literature for **NORTON** and **TRIUMPH** motorcycles.

INSIST ON GENUINE FACTORY PARTS PACKAGED WITH THIS LOGO



NORTON COMMANDO REAR WHEEL (Non Cush drive type 1968 to 1972)



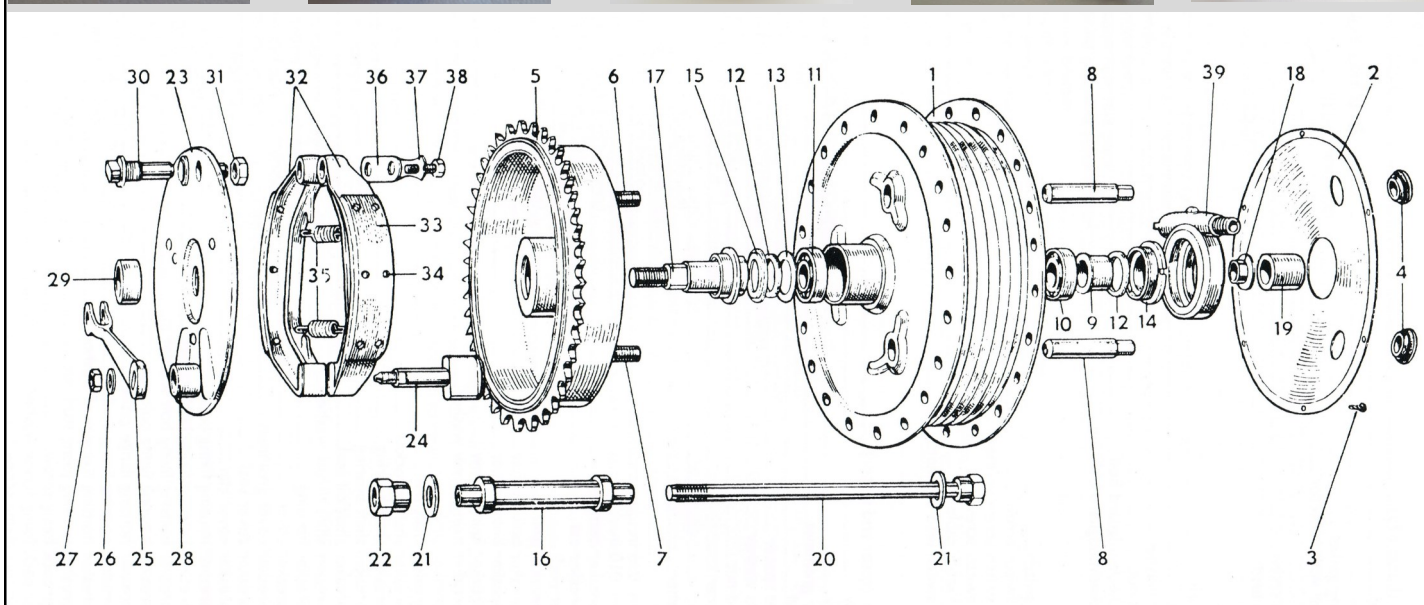


We are the only supplier of Commando & Dominator parts using the original factory drawings. Our products are mostly made in England and to original specification. We also offer Norton Rotary spares, factory service manuals and literature for **NORTON** and **TRIUMPH** motorcycles.

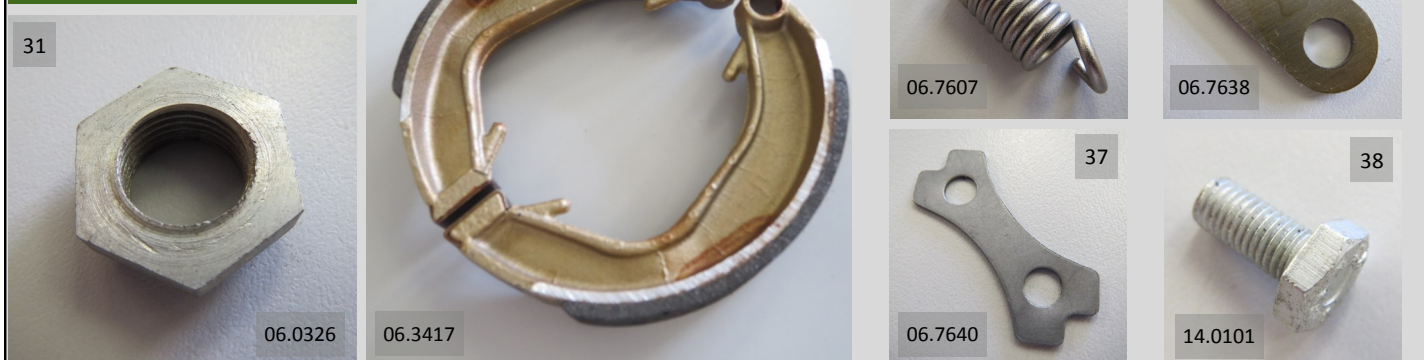
INSIST ON GENUINE FACTORY PARTS PACKAGED WITH THIS LOGO



NORTON COMMANDO REAR WHEEL (Non Cush drive type 1968 to 1972)



SEE WEBSITE FOR PRICES





We are the only supplier of Commando & Dominator parts using the original factory drawings. Our products are mostly made in England and to original specification. We also offer Norton Rotary spares, factory service manuals and literature for **NORTON** and **TRIUMPH** motorcycles.

INSIST ON GENUINE FACTORY PARTS PACKAGED WITH THIS LOGO



NORTON COMMANDO REAR WHEEL (Cush drive type 1972 to 1974)

 06.0289	 06.0292	 06.0324	 06.0627	 60.2322
 14.0303				 06.0332 1972 & 1973 only
 06.0314				 06.0334
 06.0325				 06.0701
 06.0326				 06.0704
 14.0101				 06.3417
 06.0329	 06.7638	 06.7640	 06.7755	 06.0013
 06.7603	 06.7607	 06.5290		



We are the only supplier of Commando & Dominator parts using the original factory drawings. Our products are mostly made in England and to original specification. We also offer Norton Rotary spares, factory service manuals and literature for **NORTON** and **TRIUMPH** motorcycles.

INSIST ON GENUINE FACTORY PARTS PACKAGED WITH THIS LOGO



NORTON COMMANDO REAR WHEEL (Cush drive type 1972 to 1974)

<p>24</p> <p>06.2074</p>	<p>25</p> <p>06.2075</p>	<p>26</p> <p>04.0100</p>	<p>27</p> <p>06.0317</p>	<p>28</p> <p>06.2063</p> <p>This part is currently unavailable</p>	<p>35</p> <p>06.7738</p>
<p>29</p> <p>06.2069</p>					<p>36</p> <p>06.7905</p>
<p>30</p> <p>06.2071</p>	<p>31</p> <p>06.7704</p>	<p>32</p> <p>06.3012</p>	<p>33</p> <p>06.7614</p>	<p>34</p> <p>06.7629</p>	<p>37</p> <p>01.7060</p>
<p>38</p> <p>06.7712</p>	<p>39</p> <p>06.7688</p>	<p>40</p> <p>06.2526</p>	<p>40A</p> <p>06.2525</p>	<p>41</p> <p>02.1693</p>	<p>42</p> <p>06.2082</p>
<p>43</p> <p>06.2764</p>	<p>44</p> <p>06.2067</p>	<p>45</p> <p>06.2072</p>	<p>46</p> <p>06.2889</p>	<p>47</p> <p>06.2090</p>	<p>48</p> <p>06.7688</p>
<p>49</p> <p>06.7614</p>	<p>50</p> <p>06.7614</p>				

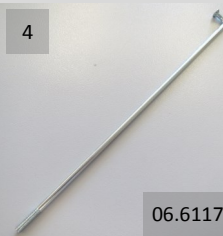


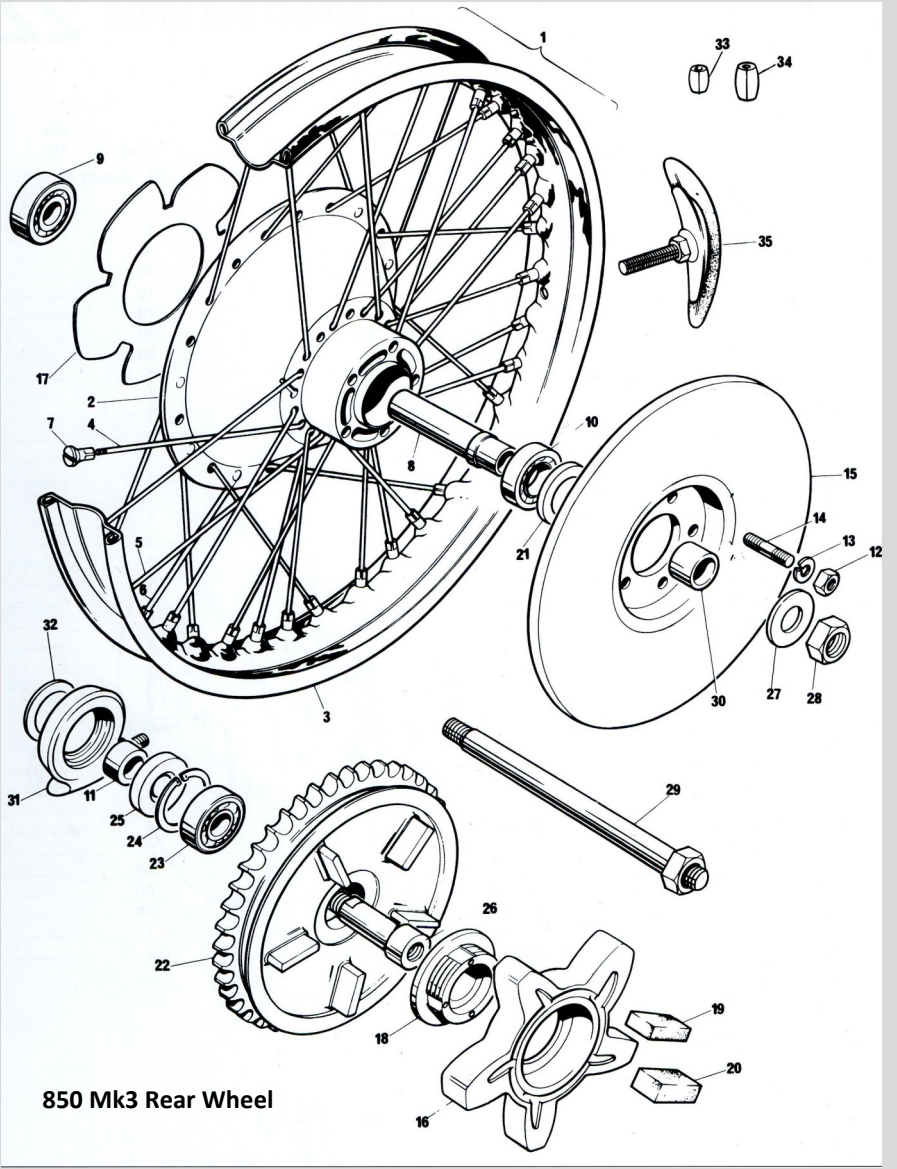






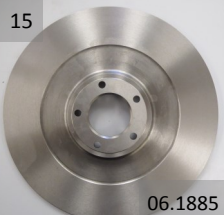






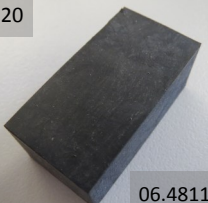


We are the only supplier of Commando & Dominator parts using the original factory drawings. Our products are mostly made in England and to original specification. We also offer Norton Rotary spares, factory service manuals and literature for **NORTON** and **TRIUMPH** motorcycles.

INSIST ON GENUINE FACTORY PARTS PACKAGED WITH THIS LOGO



NORTON COMMANDO REAR WHEEL 850 MK3 (1975 to 1978)

<p>1</p> <p>Not Available</p> <p>06.6128</p>	<p>2</p> <p>Not Available</p> <p>06.6127</p>	<p>3</p> <p>Photo to follow</p> <p>06.6119</p>	<p>4</p>  <p>06.6117</p>	<p>5</p>  <p>06.6116</p>			
<p>6</p>  <p>06.6115</p>	 <p>850 Mk3 Rear Wheel</p>			<p>12</p>  <p>14.0302</p>			
<p>7</p>  <p>06.3207</p>				<p>13</p>  <p>60.2418</p>			
<p>8</p>  <p>06.5550</p>				<p>14</p>  <p>06.1960</p>			
<p>9</p>  <p>06.5541</p>				<p>15</p>  <p>06.1885</p>			
<p>10</p>  <p>06.5542</p>				<p>16</p>  <p>06.6232</p>			
<p>11</p>  <p>06.5547</p>				<p>17</p>  <p>06.4810</p>	<p>18</p>  <p>06.5548</p>	<p>19</p>  <p>06.4812</p>	<p>20</p>  <p>06.4811</p>



We are the only supplier of Commando & Dominator parts using the original factory drawings. Our products are mostly made in England and to original specification. We also offer Norton Rotary spares, factory service manuals and literature for **NORTON** and **TRIUMPH** motorcycles.

INSIST ON GENUINE FACTORY PARTS PACKAGED WITH THIS LOGO



NORTON COMMANDO REAR WHEEL 850 MK3 (1975 to 1978)

